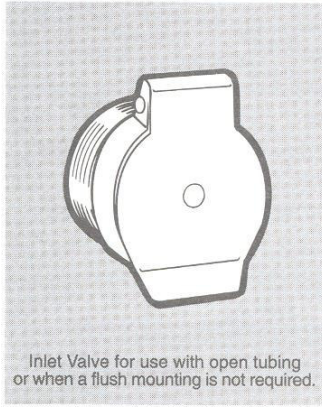


**INLET
VALVES
FOR
VACUUM
SYSTEMS**

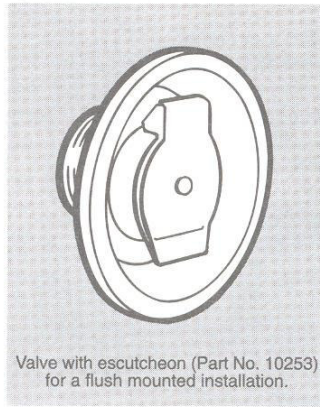


Inlet Valves For Vacuum Systems

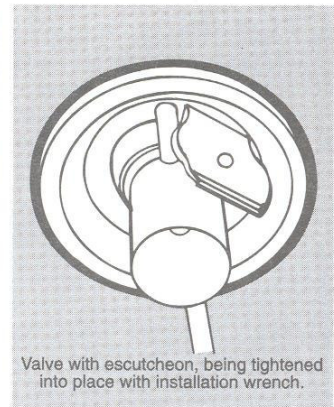
Floor Valves Available



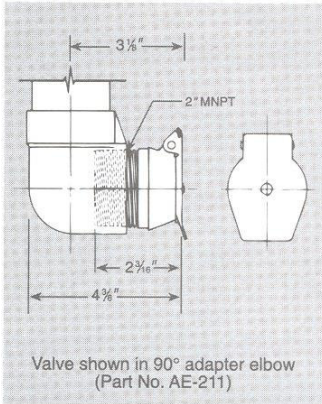
Inlet Valve for use with open tubing or when a flush mounting is not required.



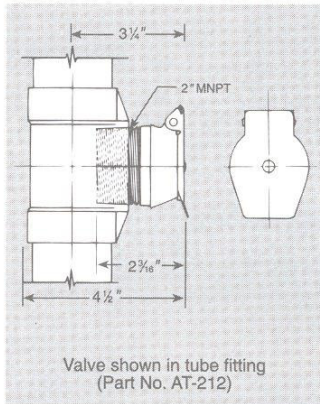
Valve with escutcheon (Part No. 10253) for a flush mounted installation.



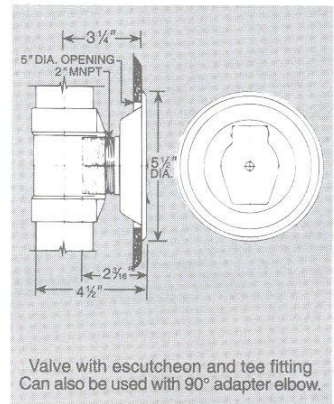
Valve with escutcheon, being tightened into place with installation wrench.



Valve shown in 90° adapter elbow (Part No. AE-211)



Valve shown in tube fitting (Part No. AT-212)



Valve with escutcheon and tee fitting Can also be used with 90° adapter elbow.

Heavy duty inlet valves provide for a quick connection of the male hose coupling to the vacuum cleaning system. These parts are designed for insertion into a 2" FNPT threaded fitting adapting to a 2-1/8" tube size. Valves have self-closing covers and are available in galvanized and stainless steel, as well as nickel plated models. The electric switch option allows for convenient operation of the system at the work location. Escutcheon plates allow for a more attractive wall installation.

The same body is used for all three valves... only the bore varies. IV-150 and IV-200 use a slight taper for hose adapter retention. IV-180 utilizes a clip on the valve lid for retention instead. Hose adapters are constructed of heavy-duty galvanized steel.

INLET VALVES*

PART NO.	BORE	MNPT
IV-150	1.5"	2.0"
IV-180	1.8"	2.0"
IV-200	2.0"	2.0"

* Also Available with Low Voltage Switch

ESCUTCHEON PLATES

PART NO.	TYPE
10253	ZINC
23939	STAINLESS

OD = Outside Diameter
ID = Inside Diameter

FNPT = Female Nominal
Pipe Thread

MNPT = Male Nominal
Pipe Thread

All reference dimensions
are nominal.
Catalog Part Variations
Available Upon Request.

INLET VALVE PART NO.	WRENCH PART NO.	HOSE ADAPTER PART NO.	FOR HOSE SIZE
IV-150 accepts 1-1/2"OD Hose Adapter	VW-150	HA-150	1-1/2" ID
IV-180 accepts 1.8"OD Hose Adapter	VW-180	HA-180	1-1/2" ID
IV-200 accepts 2"OD Hose Adapter	VW-180	HA-200	2" ID